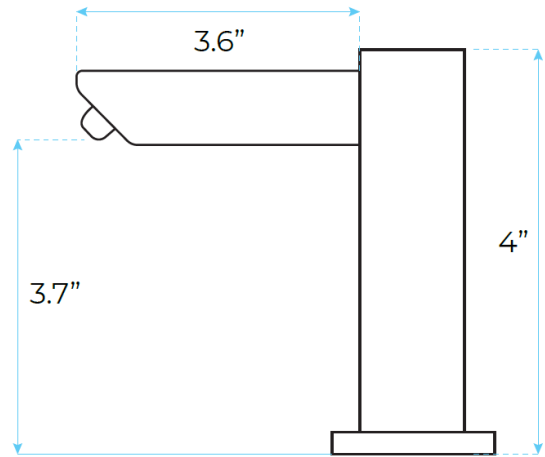


# FONTANA COMMERCIAL DECK MOUNT AUTOMATIC INTELLIGENT TOUCHLESS SOAP DISPENSER IN CHROME SPECS



## **SPECS :**

Product Type: Commercial  
 Main Construction Material: Brass  
 Mount Type: Deck  
 Handle Type: Infra-Red  
 Power supply : AC110~240V;DC 6V  
 Power consumption: Standby 0.4W( $\leq$  3W);Operation 1.2W( $\leq$ 5W)  
 Sensing distance : 0.5 to 5.5 cm  
 Valve/Cartridge Type: Solenoid Valve  
 Length of sensing cable : 0.85m~1.6m  
 Flow Rate: Maximum 1.8 GPM  
 Soap volume: 0.5~3mL adjustable  
 Soap viscosity: 100~3800 cps  
 Factory setting: 1.25 $\pm$ 0.25mL  
 Isolation Included: No

